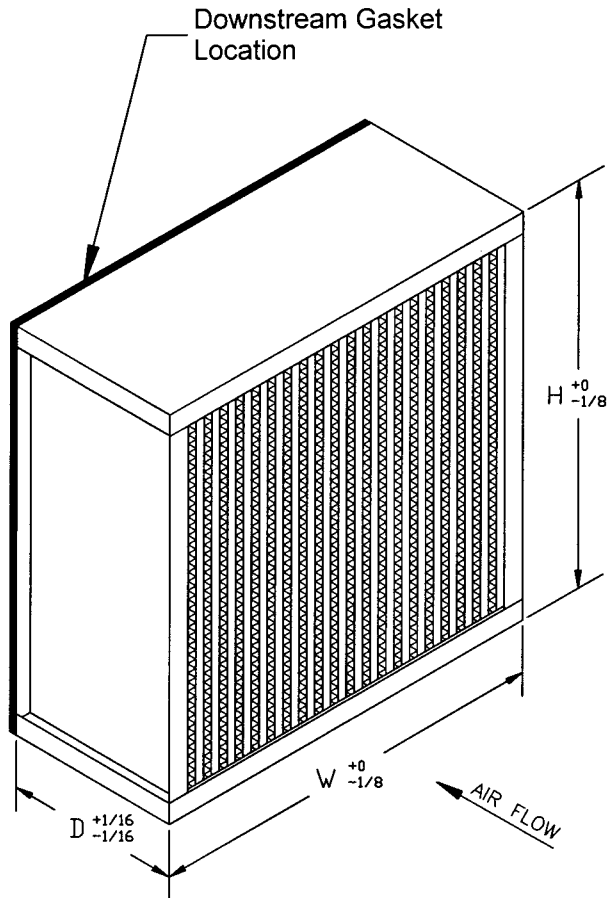
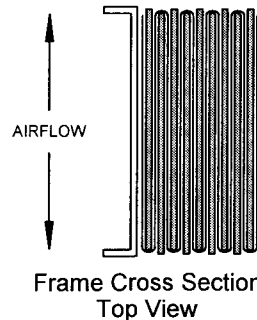


Item Number	Model Number	Construction Code	Actual Size (Inches) H x W x D	Rated Air Flow (CFM)	Initial Resistance (In. W.G.)	Efficiency	Media Area (Square Feet)
2590302	MC2000-501-XL	H2424B00-0AG 000 04F	24 x 24 x 11-1/2	2000	2.00	99.999% @ 0.3 Micron	286
2595125	MC2000-501A-XL	H2323B33-0AG 000 04F	23-3/8 x 23-3/8 x 11-1/2	1890	2.00	99.999% @ 0.3 Micron	271
	MC2000-500-XL	H1224B00-0AG 000 04F	12 x 24 x 11-1/2	1000	2.00	99.999% @ 0.3 Micron	133
	MC2000-500A-XL	H1123B33-0AG 000 04F	11-3/8 x 23-3/8 x 11-1/2	924	2.00	99.999% @ 0.3 Micron	122
	MC2000-500R-XL	H2412B00-0AG 000 04F	24 x 12 x 11-1/2	1000	2.00	99.999% @ 0.3 Micron	133
	MC2000-500AR-XL	H2311B33-0AG 000 04F	23-3/8 x 11-3/8 x 11-1/2	924	2.00	99.999% @ 0.3 Micron	122
	MC2000-502-XL	H2430B00-0AG 000 04F	24 x 30 x 11-1/2	2750	2.00	99.999% @ 0.3 Micron	362
2598120	MC2000-502R-XL	H3024B00-0AG 000 04F	30 x 24 x 11-1/2	2750	2.00	99.999% @ 0.3 Micron	362
	MC2000-241-XL	H2424A00-0AG 000 04F	24 x 24 x 5-7/8	1000	2.00	99.999% @ 0.3 Micron	149
	MC2000-241A-XL	H2323A33-0AG 000 04F	23-3/8 x 23-3/8 x 5-7/8	950	2.00	99.999% @ 0.3 Micron	142
	MC2000-1202-XL	H1224A00-0AG 000 04F	12 x 24 x 5-7/8	500	2.00	99.999% @ 0.3 Micron	70
	MC2000-1202A-XL	H1123A33-0AG 000 04F	11-3/8 x 23-3/8 x 5-7/8	462	2.00	99.999% @ 0.3 Micron	64
	MC2000-1202R-XL	H2412A00-0AG 000 04F	24 x 12 x 5-7/8	500	2.00	99.999% @ 0.3 Micron	70
	MC2000-1202AR-XL	H2311A33-0AG 000 04F	23-3/8 x 11-3/8 x 5-7/8	462	2.00	99.999% @ 0.3 Micron	64




Construction	Code	Description
Standard and Certification	0	HEPA-IEST-RP-CC001.3 per MIL-STD 282
Frame Material	A	16 GA Corrosion Resistant Steel
Frame Style	G	Metal C-Style
Gasket	0	SCE 43 Neoprene 1/4" x 3/4" (180 deg. F), Dovetail Joints
Gasket Location	0	Downstream
Sealant	0	Urethane (180 deg. F)
Hardware	0	None
Acceptance Level	4	99.999% on 0.3 Micron Scanned (Leak Tested)
Separators	F	Aluminum Separators, High Capacity



**NOTES**

- Media: Micro-Glass Fiber / Acrylic Resin Binder
- Rated Velocity  
11-1/2" Depth - 500 FPM  
5-7/8" Depth - 250 FPM
- See Drawings MKT-B-00362 & MKT-B-00363 For Resistance Curves
- Recommended Final Resistance: 4.0" W.G. @ Rated Flow (Twice Initial Resistance)
- Class 1 Filter Per U.L Standard 900
- Maximum Operating Temperature: 180 Deg. F
- Standard Gasket Location Downstream, Construction Code 0AG 000 04F
- Optional Gasket Locations (Do NOT Use Item Numbers Shown Above)  
-U: Upstream Sides (Ex. MC2000-501-XL-U), Construction Code 0AG 110 04F  
-UD: Both Sides (Ex. MC2000-501-XL-UD), Construction Code 0AG 130 04F  
No Gasket (Ex. MC2000-501-XL, No Gasket), Construction Code 0AG 750 04F

 <p>ONE SOURCE FOR AIR FILTRATION PRODUCTS</p>	<p>P.O. Box 32578 Louisville, KY 40232 P: 502-969-2304 F: 502-969-2759</p>	<p>TOLERANCES UNLESS OTHERWISE SPECIFIED</p>		<p>DRAWING NAME <b>MICROGUARD 2000 (C STYLE BOX - 99.999%)</b></p>	
		<p>FRACTIONAL - DECIMAL - ANGLES -</p>	<p>APPROVED BY <i>H. Quinn</i></p>	<p>SPECIFICATION NO. MKT-B-00366</p>	<p>PAGE 1 OF 1</p>
<p>CONTACT FACTORY TO VERIFY REVISION LEVEL</p>		<p>SCALE NONE</p>	<p>DWG. SIZE A</p>	<p>REVISION NEW</p>	<p>REVISION DATE 11-06-02</p>
<p>ALL DIMENSIONS IN INCHES</p>					
<p>CONFIDENTIAL - DO NOT COPY. THIS MATERIAL IS TRADE SECRET AND PROPRIETARY BEING EXCLUSIVELY OWNED BY AIRGUARD. THE EXPRESSION OF THE INFORMATION CONTAINED HEREIN IS PROTECTED UNDER FEDERAL COPYRIGHT LAWS AND ALL COPYING IS PROHIBITED AND MAY BE SUBJECT TO CRIMINAL PENALTIES.</p>					